

EXREL

Recessed Edgelit Aluminum Exit Sign



Illumination

- Ultra bright, energy efficient, long life Red or Green LEDs.
- UV-stabilized ultra-clear acrylic edgelit panel provides consistent, uniform illumination.
- Double face utilizes factory installed silver or white mylar background panel.

Electrical

- Dual 120/277 voltage standard.
- Charge rate/power "ON" LED indicator light and push-to-test switch for mandated code compliance testing.
- 4.8V long life, maintenance-free, rechargeable NiCd battery (EM models only).
- Internal solid-state transfer switch automatically connects the internal battery to LED board for minimum 90-minute emergency illumination.
- Fully automatic solid-state, two rate charger initiates battery charging to recharge a discharged battery in 24 hours.

Mounting

- Compatible with drywall or drop ceiling mount installations. Bar hangers included.
- Wall mount capability optional.

Housing

- Premium-grade, extruded aluminum housing.
- Extruded aluminum trim assembly is easily detachable from below, providing accessibility for service or maintenance. Available in optional black or white powder-coated finishes.
- Self-adhesive Chevron appliques and guide template provided for directional indication.

Ordering Information

- 1 With single face only.
- 2 Available only with AC units.
- 3 Available only with EM units.
- 4 Not available with SDT.



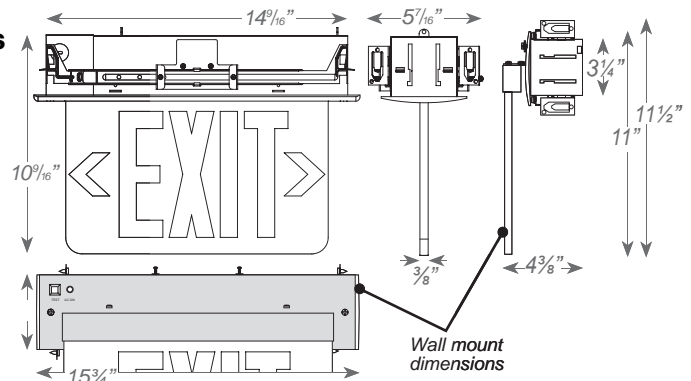
Options

- WM: Allows for the unit to be wall recessed mounted.
- 2C-120V/2C-277V: Voltage-specific dual circuit option on the AC-only unit enables it to be connected to two different supplies at the same time.
- SDT: Self-diagnostic feature performs monthly, biannual, and annual tests to ensure reliable operation and meets electrical and life safety codes.
- USA: Substantial transformation assembly in the U.S. complies with "Assembled in the USA" under the Buy American Act.
- SPV: UL Listed for 208/220/240 Volt, 50/60Hz..
- Custom: Signs available with requested 'special' wording.

Warranty/ Listing

- Five year warranty on all electronics and housing. Battery prorated for five years.
- Meets UL924, NFPA 101 Life Safety Code, NEC, OSHA, Local and State Codes.
- UL Listed for damp locations (0°C – 50°C).
- Certified to CEC under Title 20 Regulations.

Dimensions



Product Number:	ERELZXTE		NF:	L:	P:	TP:	B:	O:
MODEL	No. of FACES	LETTER	PANEL	TRIM PLATE	BATTERY	OPTIONS		
EXREL	1	Single Face	R Red	C Clear ¹	W White	(blank)	AC Only	WM Wall Mount ¹
	2	Double Face	G Green	M Mirror	B Black	EM	Battery Backup	2C-120 Dual Circuit With 120V Input ²
			W White	A Aluminum				2C-277 Dual Circuit With 277V Input ²
								SDT Self-Diagnostics ³
								USA Assembled In USA
								SPV 208/220/240 Volt, 50/60Hz ⁴
								CUSTOM Custom Wording

08.2019