

ECB24 Center Basket – 2X4

STANDARD

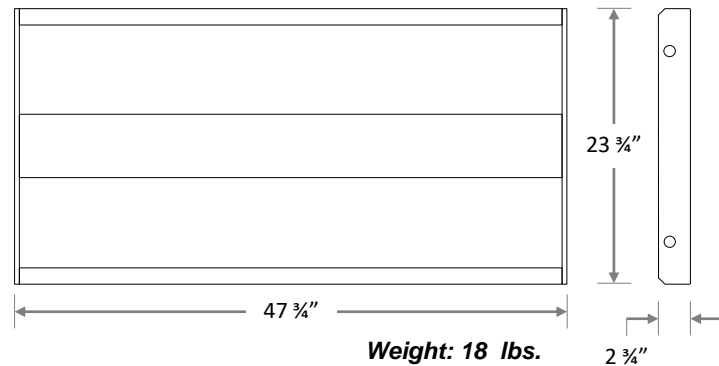


FEATURES

- Available in 3500k (warm/neutral white), 4000k (neutral white) & 5000k (cool white) color temperatures.*
- Long-life LEDs provide at least 144,000 hours of operation with at least 70% of initial lumen output (L₇₀).**
- Provides 4,538-4,605 lumens and 137-139 lumens per watt (LPW).
- Uniform illumination with no visible LED pixilation.
- Universal 120-277 AC voltage (50-60Hz) is standard.
- 0-10vdc, continuous dimming capability is standard.
- Power factor > 0.90.
- Total harmonic distortion < 20%.
- Color rendering index (R_a) ≥ 80.
- Steel housing and PMMA lens.
- Easy installation in new construction or retrofit. Fits in standard 2' x 4' grid ceilings.
- Built-in earthquake clips provide secure installation in grid ceilings.
- Standard mounting options include recessed mounting in grid ceilings, or suspended mounting using earthquake clips.



DIMENSIONS



WARRANTY & LISTINGS

- cULus listed for damp locations and insulated ceiling in ambient temperatures from -20°C to 50°C (-4°F to 122°F).
- UL listed for maximum of 4, 12 AWG through branch circuit conductor.
- Inherently protected.
- Type IC rated for insulated ceilings.
- DLC 5.0 premium approved.
- Low risk of flicker (per IEEE1789-2015) at 100% light output level.
- Complies with FCC Part 15, class B.
- Complies with IEEE C.62.41-1991, Class A input transient surge protection (2.5kV).
- 5-year warranty of all electronics and housing.

ORDERING INFORMATION

Series	Nominal Lumens	Color Temperature		DLC	Occupancy Sensor ¹		Emergency Driver	
ECB24	5L			PRM				
	5,000 lm	35K	3500K		ODS	Microwave	EM8	800 lumens
		4K	4000k		Blank	No occupancy sensor	EM12	1,200 lumens
		5K	5000k				EM16	1,600 lumens
							EM20	2,000 lumens
							EM24	2,400 lumens
							EC8	800 lumens
							EC12	1,200 lumens
							EC16	1,600 lumens
							EC20	2,000 lumens
							EC24	2,400 lumens
							Blank	No emergency driver

ELECTRICAL DATA

Model	Color Temp.	CRI ¹	Luminaire Lumens	Luminaire Watts	Lumens Per Watt	Input Voltage	Input Current (A)			Power Factor	THD ²	L ₇₀ Hours ³
							120V	240V	277V			
ECB24-5L-35K-PRM	3500k	> 80	4,538	33	137	120-277V	0.28	0.14	0.12	> 90%	< 20%	144,000
ECB24-5L-4K-PRM	4000k	> 80	4,562	33	138	120-277V	0.28	0.14	0.12	> 90%	< 20%	144,000
ECB24-5L-5K-PRM	5000k	> 80	4,605	33	139	120-277V	0.28	0.14	0.12	> 90%	< 20%	144,000

¹ Color rendering index

² Total harmonic distortion

³ L₇₀ refers to the number of hours at which lumen output declines to 70% of the initial level. L₇₀ hours are IES TM-21-11 calculated hours.

PHOTOMETRIC DATA

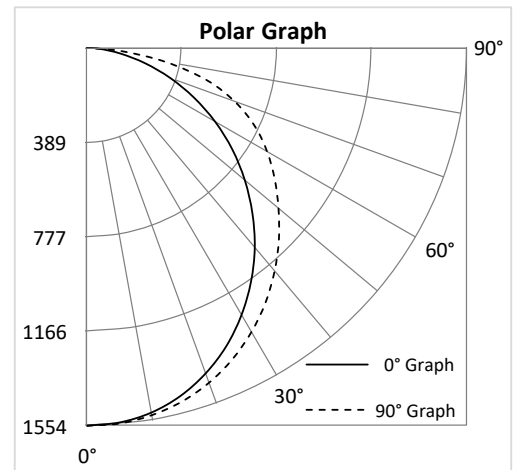
ECB24-5L-5K-PRM

Luminaire Data

Description	2X4 LED Center Basket 5L, 5K
Total Lumens	4,605
Input Wattage	33
Efficacy (lm/W)	139
Spacing Criterion (0-180°)	1.22
Spacing Criterion (90-270°)	1.3

Zonal Lumen Summary

Zone	Lumens	%Fixt
0-20°	566	12.3%
0-30°	1,199	26.0%
0-40°	1,958	42.5%
20-50°	2,182	47.4%
40-70°	2,129	46.2%
0-60°	3,482	75.6%
0-80°	4,485	97.4%
0-90°	4,605	100.0%
90-180°	0	0.0%
0-180°	4,605	100.0%



COMPATIBLE EMERGENCY DRIVERS

Emergency Driver Part Number	EM8 / EC8		EM12 / EC12		EM16 / EC16		EM20 / EC20		EM24 / EC24		Runtime
	Watts	EM Lumens	Watts	EM Lumens	Watts	EM Lumens	Watts	EM Lumens	Watts	EM Lumens	
ECB22-3L-xxK-PRM	5.0	650	7.8	1020	10.7	1390	13.7	1780	17.0	2210	90 MINS.
ECB24-5L-35K-PRM	5.0	650	7.8	1020	10.7	1390	13.7	1780	17.0	2210	90 MINS.

COMPATIBLE DIMMERS

Manufacturer	Model Number	Dimming Range	Load Switching Capacity
Lutron	DVSTV	10%-100%	450W
Leviton	IP710-LFZ	10%-100%	1200W
General Protecht	DMD-LED3-102	10%-100%	600W

Job Name: _____

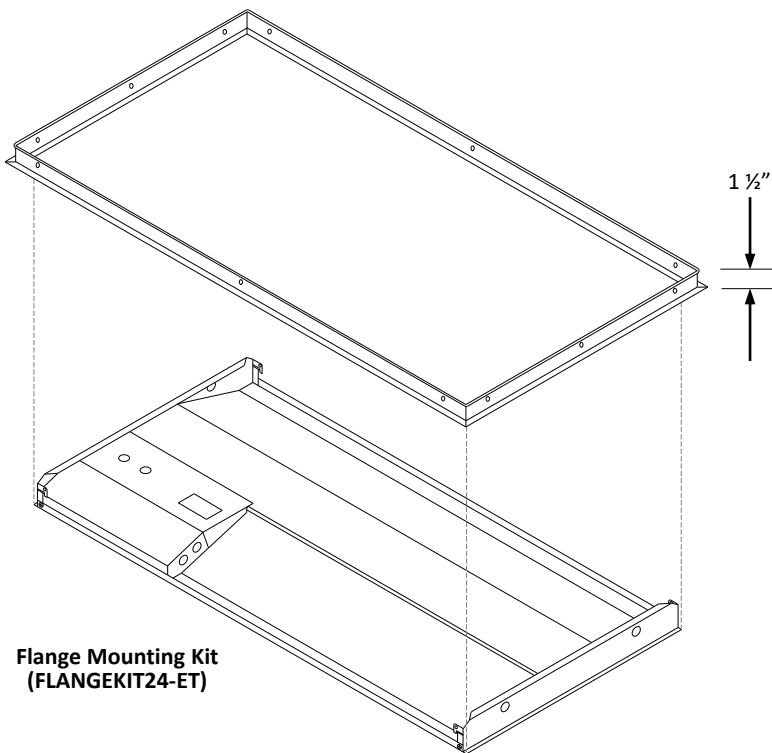
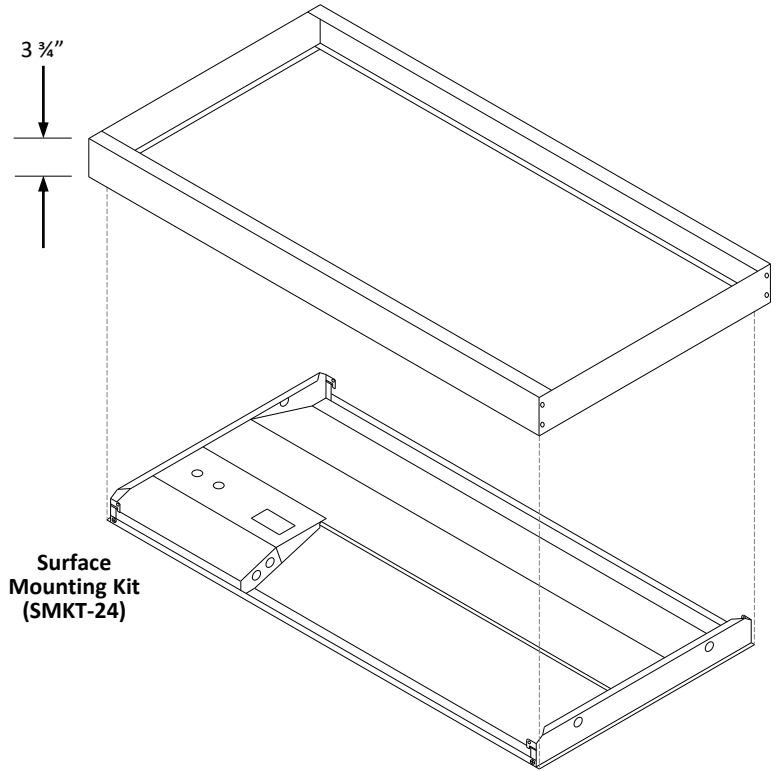
Type: _____

Part #: _____

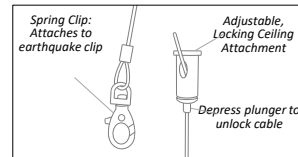
Notes: _____

MOUNTING MEANS – ORDER SEPERATATLY

- Optional surface mounting kits (SMKT-24) mounts below the ceiling.
- Optional flange mounting kits provide for recessed installation on plaster or other hard ceilings. Attach Flange Mount Kit (FLANGEKIT24-ET) to ceiling joists or other stationary structures, and the panel is mounted flush to the ceiling.
- Optional cable mounting kits provide additional security, as well as suspended mounting. Attach one end of the Cable Mount Kit (LEDPNL-CMK) to luminaire earthquake clips using spring clips, and attach the other end to stationary structures using the adjustable, locking ceiling attachment (see picture below right).



Cable Mounting Kit (LEDPNL-CMK)



Cable Mount Kit:

- Spring Clip
- Adjustable, locking ceiling attachment