

## EMLEDWSQ-RC

### Micro Adjustable LED Square-Head Emergency Lights

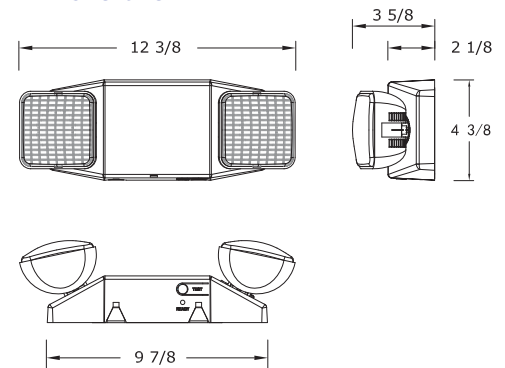
The series model offers a fully adjustable LED lamp head, along with a contemporary design, quick installation and premium options, in a stylish and economical package.



#### Features

- Dual-voltage input 120V/277V
- Maintenance-free nickel-cadmium battery
- Energy-saving LED
- Optional Remote-Capable version offers up to an additional 2.3 Watts for 90 minutes
- Injection-molded, high-impact, UV-stabilized, UL94 V-0 thermoplastic construction in white or black finish
- Universal J-box pattern knock-out
- Universal mounting plate with quick-connect feature
- Fully adjustable glare-free lamp heads
- Two factory-installed LED lampheads
- Temp rating: 10°-40° damp
- CEC Registered—See ordering information for exceptions
- UL 924 Listed for damp location
- CSA Listed

#### Dimensions



#### Ordering Information

| Series | Finish    | Options  |
|--------|-----------|--|
| EMLED  | W = White | Blank = Non-Remote Capable<br>RC= Remote Capable |