

4

3

2

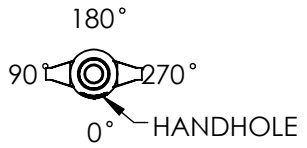
1

ITEM NO.	PART NUMBER	DESCRIPTION	DESCRIPTION 2	QTY.
1	POLE	POLE, STANDARD DUTY	DIRECT BURIAL	1
2	TEN-0001	TENON 2-3/8"	3-1/2" HEIGHT	1
3	COV-0012	HANDHOLE COVER, 2-1/2" X 5"	ROUND TAPERED	1
4	RN0250-0003	RIVET NUT, 1/4-20	.280 - .500 GRIP RANGE	2
5	PS0250-0008	PHILLIPS SCREW 1/4"-20 X 1"	ZINC	2

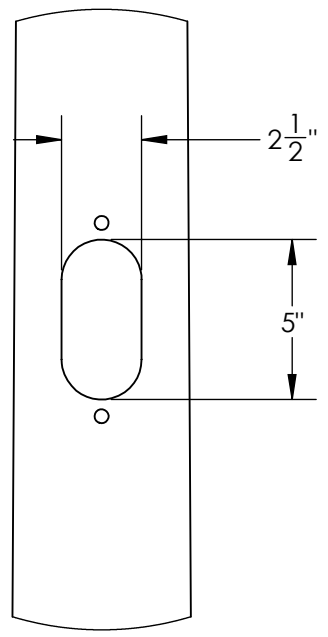
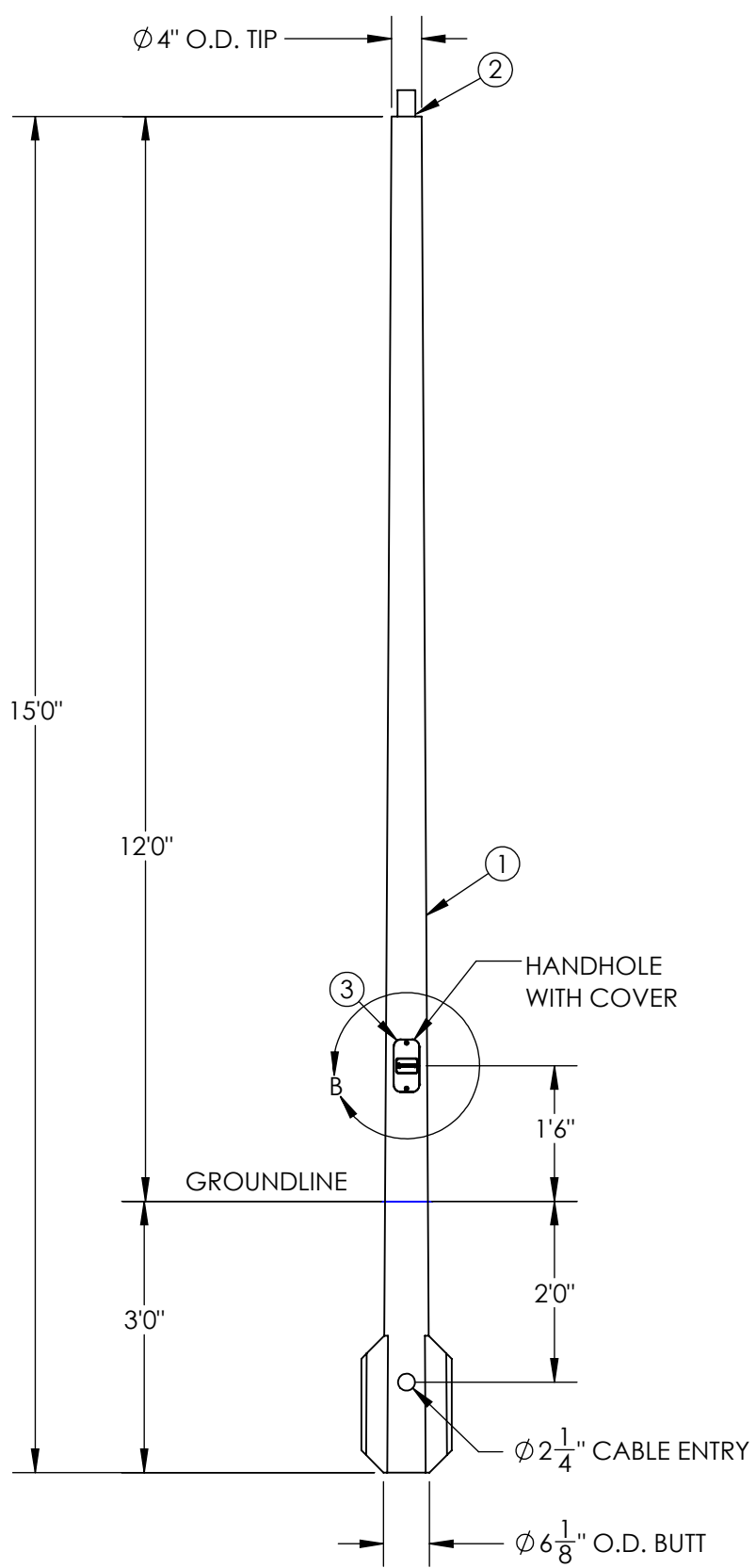
ECO		REV.	DESCRIPTION	DATE	INITIALS

FEATURE ORIENTATIONS

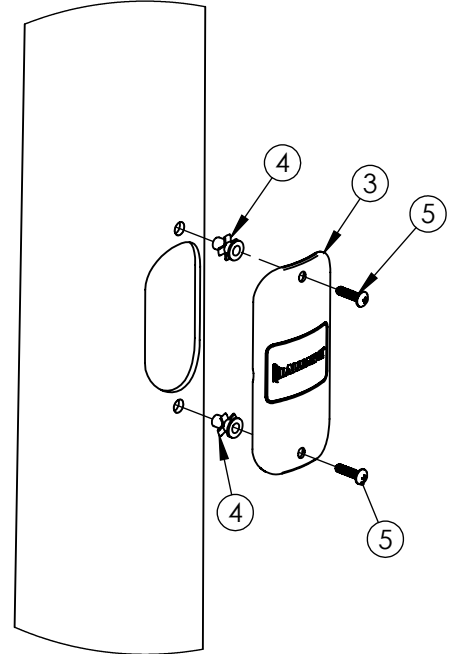
	0°	90°	180°	270°
CABLE ENTRY	X			
HAND HOLE	X			



NOTE: ALL HOLES DRILLED ONLY THROUGH THE FACES SPECIFIED BY 'X'



DETAIL B  
HANDHOLE CUTOUT  
COVER REMOVED FOR CLARITY  
SCALE 1 : 6



DETAIL A  
COVER ASSEMBLY  
SCALE 1 : 6

MAXIMUM EPA PER WINDZONE										
MPH	90	100	110	120	130	140	150	160	170	180
EPA	8.7	6.6	5.0	3.8	3.0	2.8	2.3	1.9	1.6	1.4

- NOTES:
1. DIRECT BURIAL CLASS 1 POLE PER ASTM 4923. POLE TOP DEFLECTION SHALL NOT EXCEED 15% OF THE ABOVE HEIGHT AT MAX WIND LOADING AND MAX FIXTURE WEIGHT.
  2. DESIGN CRITERIA PER AASHTO LTS-6-2013, WITH A MINIMUM SAFETY FACTOR OF 1.5 PER ANSI C136.20-2012, AND WIND SPEEDS PER ASCE 7-16 OR NEWER
  3. EMBEDMENT BASED ON MINIMUM DEPTH RECOMMENDED BY ANSI C136.20-2012 SECTION 5.3 AND ASSUMING CLASS 1 SOIL OR BETTER WHEN LOADED AT MAXIMUM EPA.

N = NATURAL FINISH  
S = SMOOTH FINISH

D3TS15F00↑2↓GXHH

G = GRAY  
A = BLACK  
F = BRONZE  
W = WHITE  
N = GREEN

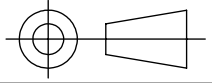
---UNLESS OTHERWISE SPECIFIED---  
DIMENSION UNITS ARE IN FEET AND INCHES  
DIMENSIONS SHOWN ARE NOMINAL

STATE:	REVIEW	2023-03-24
DRAWN:	BMR	2023-03-20
CHECKED:	AJH	2023-03-24
APPROVED:		2022-05-17
REPLACES:		



PROPRIETARY AND CONFIDENTIAL  
THE INFORMATION CONTAINED IN THIS DRAWING IS THE SOLE PROPERTY OF GEOTEK. ANY REPRODUCTION IN PART OR AS A WHOLE WITHOUT THE WRITTEN PERMISSION OF GEOTEK IS PROHIBITED.

THIRD ANGLE PROJECTION



CUSTOMER SIGNATURE:

DATE:

DESCRIPTION:  
POLE SYSTEM, DIRECT BURIAL  
STANDARD DUTY, 15 FT

1421 SECOND AVE NW  
STEWARTVILLE, MN 55976  
(800) 533-1680  
www.geotek.com

SIZE: DWG. NO.

B D3TS15F00X2XGXHHM

POLE COLOR:

REV:

0.0

SCALE: 1:24 | WEIGHT: 26 LBS

SHEET 1 OF 1

4

3

2

1